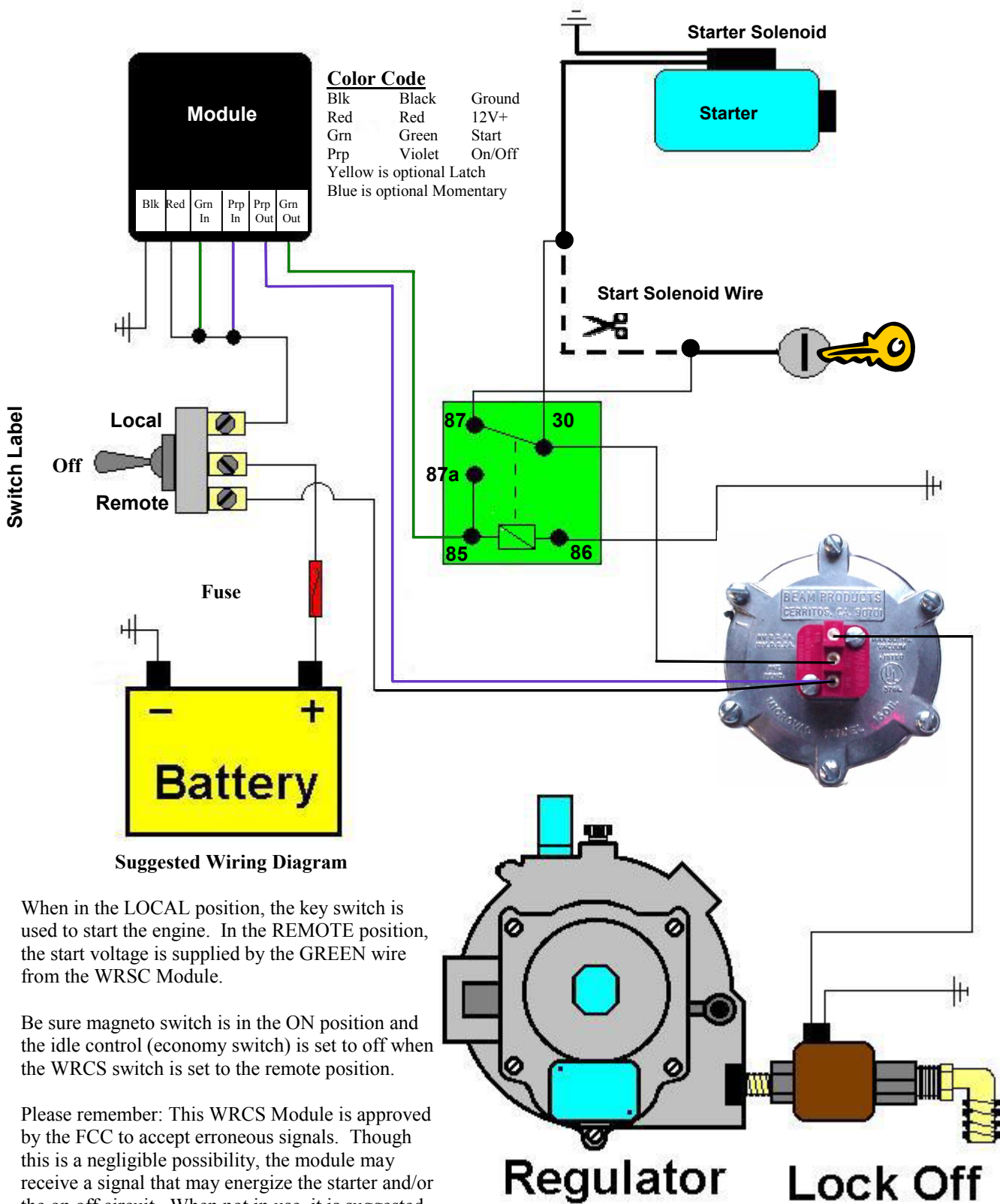


WRCS Module Wire Diagram for Local and Remote Starting

When used in conjunction with the RSK accessory



Suggested Wiring Diagram

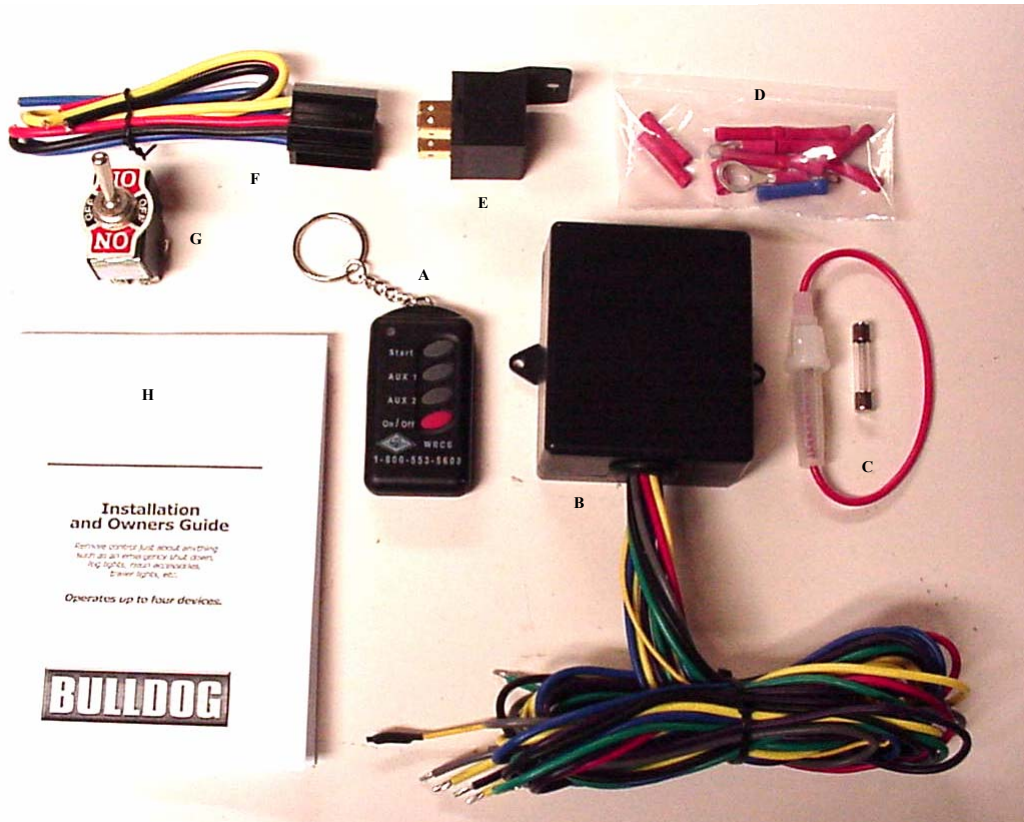
When in the LOCAL position, the key switch is used to start the engine. In the REMOTE position, the start voltage is supplied by the GREEN wire from the WRCS Module.

Be sure magneto switch is in the ON position and the idle control (economy switch) is set to off when the WRCS switch is set to the remote position.

Please remember: This WRCS Module is approved by the FCC to accept erroneous signals. Though this is a negligible possibility, the module may receive a signal that may energize the starter and/or the on off circuit. When not in use, it is suggested to move the LOCAL/REMOTE switch to the center OFF position so that the unit will not be affected by any errant signals.

WRCS Kit Contents

Part design may vary
Dealer Kits do not include accessories



- A. WRCS Remote Control Keychain
- B. WRCS Remote Control Module
- C. Relay Input Fuse Holder and Fuse
- D. Miscellaneous Wire Connectors
- E. Relay
- F. Relay Harness
- G. Local-Remote Three Pole Switch
- H. Manufacturers Universal Installation Guide

The module basically has 4 circuits, 2 latching and 2 momentary. The latching circuits will hold on or off each time the button is pressed. The momentary will only hold as long as the button is pushed.

The use of Aux 2 for instance (blue) can power a glow plug in a diesel engine so that it can not be left on by accident.



This is a brand new item and the instructions are not as thorough as one might wish. We will be updating these as the product matures. Your opinion of these instructions or what would have helped you would be very much appreciated. Also any additional parts that you feel should be included with the kit would be appreciated. Any pictures of installations may be used for future instruction booklets or on our website (Of course they would become the property of US Carburetion, Inc.). Please write or e-mail your suggestions to us and we will usually include them in the next revision. Write to:

US Carburetion Kit Center
218 Coral Street
Building B-1
Canvas, WV 26662
Tech@USCarb.com

or E-mail: